

# The Helen Lamp

## LED Replacement for 4 pin CFL

The Helen Lamp from Lunera is a plug-and-play LED replacement for G24-series CFL downlights. Simply choose the configuration optimized for Horizontal or Vertical mount sockets, plug it in like any 4 pin lamp, and enjoy the superior light quality and energy savings—no need to remove the CFL ballast or retrofit the fixture.

**Beautiful light** has a Color Rendering Index of 84 and strong output of 900 lumens (equivalent to 26W CFL). Available in 2700K, 3000K, 3500K and 4000K color temperatures.

**Long lifespan** is rated more than 50,000 hours, 5x longer than CFLs, and supported by a five year warranty.

**Efficient 13W lamp** offers more than 50% energy savings. The lamp is compatible with 26W, 32W & 42W CFL sockets, making it easy to save even more energy.



Instant on to full brightness



Mercury Free

84

Color Rendering Index



Designs optimized for Horizontal mount or Vertical mount sockets



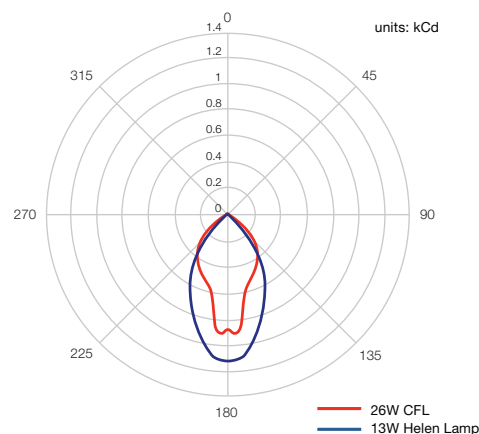
# The Helen Lamp

## LED Replacement for 4 pin CFL



### Specifications & Performance

Illumination		Certifications & Qualifications		In Fixture Photometry	
Color Temp	2700K, 3000K, 3500K, 4000K	ETL	Listed	<b>The Helen Lamp vs. 26W CFL, compared in the same downlight fixture</b> 	
Delivered Lumens	900 lm	LM79	Tested		
CRI	84 (comparable or better than existing CFL)	LM80	Tested		
Life	50,000 hours life (L85)	RoHS Compliant	Yes, contains no lead or mercury		
		Warranty	5 years		
Electrical System		Physical (w/o integrated driver or control)			
Power Factor	> 90% (determined by installed ballast)	Dimensions (HxWxD)	V: 93.4 x 53 x 45mm H: 132.75 x 41 x 32mm		
Total Harmonic Distortion	< 20% (determined by installed ballast)	Weight	0.25 lbs		
Input Voltage	Driven by CFL ballast	Housing & Finish	Aluminum, painted		
Power	13W	Optics	Optical Acrylic Diffusion		
Installation		Environment		Application/Non-Application	
Spacing Criteria	Fixture dependent	Ambient Operating Temp	-4°F to 100°F (-20°C to 40°C)	<ul style="list-style-type: none"> <li>The Helen Lamp replaces CFL 4-pin 26W, 32W, and 42W lamps in existing and new downlight applications that use electronic ballasts.</li> <li>The Helen Lamp is a 13W lamp, providing about 50% energy saving over traditional 26W, 32W, and 42W CFLs.</li> <li>The Helen Lamp delivers 900 lumens, equivalent to that of a traditional 26W CFL.</li> <li>The Helen Lamp may be INCOMPATIBLE with some Sylvania, Iota, and older ballast models.</li> <li>The Helen Lamp is INCOMPATIBLE in dimming fixtures, lensed downlight applications, or decorative lighting like sconces.</li> </ul>	
Mounting	Recessed downlight with G24q series 4 Pin CFL socket	Humidity	20% to 85% RH, non-condensing		

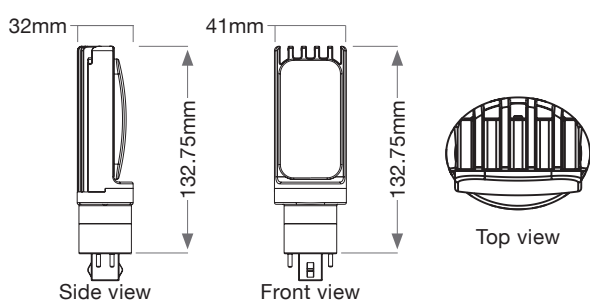


**Application/Non-Application**

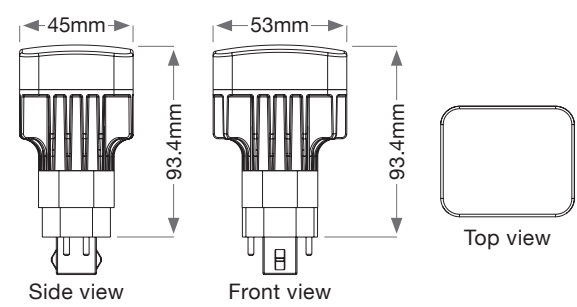
- The Helen Lamp replaces CFL 4-pin 26W, 32W, and 42W lamps in existing and new downlight applications that use electronic ballasts.
- The Helen Lamp is a 13W lamp, providing about 50% energy saving over traditional 26W, 32W, and 42W CFLs.
- The Helen Lamp delivers 900 lumens, equivalent to that of a traditional 26W CFL.
- The Helen Lamp may be INCOMPATIBLE with some Sylvania, Iota, and older ballast models.
- The Helen Lamp is INCOMPATIBLE in dimming fixtures, lensed downlight applications, or decorative lighting like sconces.

Please see the Helen Lamp Installation Guide and Helen Lamp Ballast Incompatibility Statement for more detailed application and installation instructions.

#### Horizontal Lamp: L132.75mm x W41mm x H32mm



#### Vertical Lamp: L93.4mm x W53mm x H45mm



### Ordering info | Example: HN-V-26W-3000-G1

Fixture Series	Orientation	Output	Voltage	CCT	Generation	Options
HN: The Helen Lamp	V: Vertical H: Horizontal	26W: 26W CFL Equivalent	Blank: Driven by CFL G24q Series Ballast	2700: 2700K 3000: 3000K 3500: 3500K 4000: 4000K	G1: 1 <sup>st</sup> Generation	Blank: None